

vive®



BED RAIL

Owner's Manual
LVA1024

vivehealth.com

OVERVIEW

We are constantly answering questions and recording helpful videos to make using your Vive Bed Rail as easy as possible. Throughout the manual we will include QR codes and links to important videos that you can visit to help you.

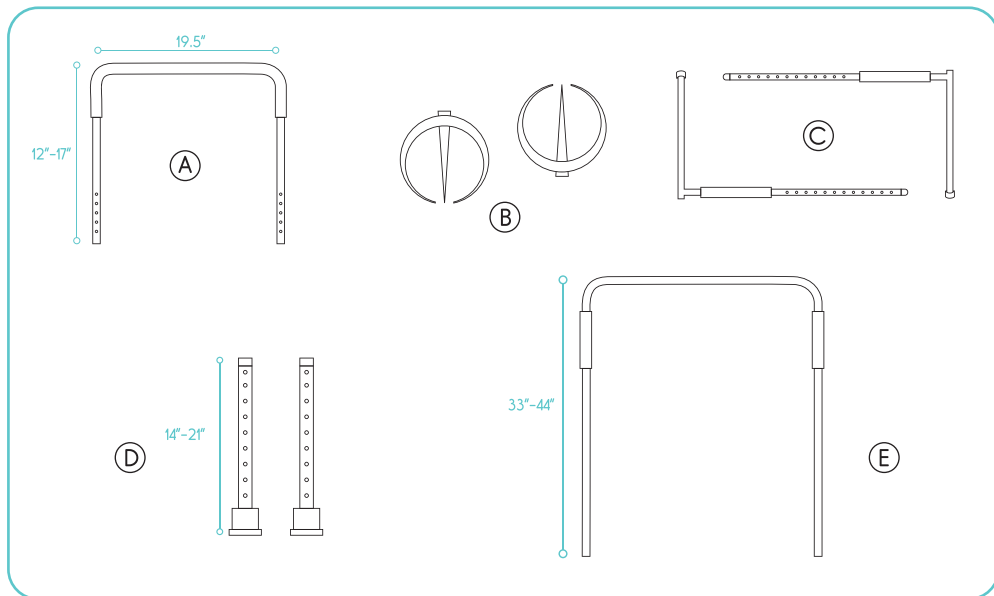


To see all FAQs in one place
visit vhealth.link/b397f

WHAT'S INCLUDED

Bed Rail

- (A) 1x U-Shaped Support Hand Frame
- (B) 2x Lock Pin Collar Tabs
- (C) 2x L-Shaped Base Frames
- (D) 2x Leg Extensions
- (E) 1x U-Shaped Mattress Frame

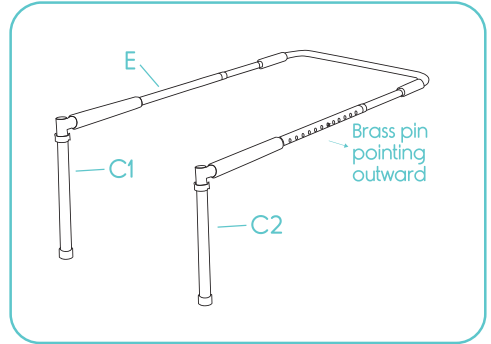


This bed rail is designed for use on a bed with a box spring and mattress.

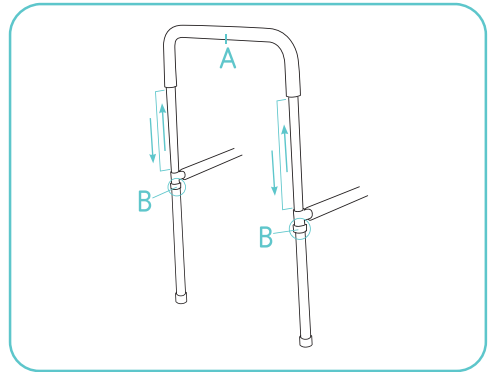


For a video demonstration check out vhealth.link/24edb

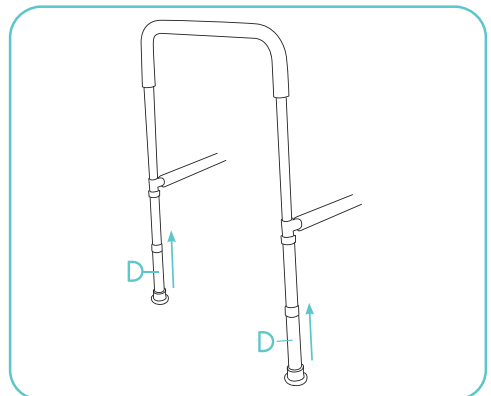
1. Attach each of the L-Shaped Base Frames (C1 & C2) to each side of the U-Shaped Mattress Frame (E), making sure the brass pins are pointing outward. Adjust the brass lock pins based on the width of your bed. You will hear an audible click for each side.



2. Remove the Lock Pin Collar Tabs (B) from the L-Shaped Base Frames. Attach U-Shaped Support Hand Frame (A) to each L-Shaped Base Frame. Adjust U-Shaped Support Hand Frame to your desired height and lock in the Pin Collar Tabs.



3. Attach Leg Extensions (D) by depressing the brass lock pins and sliding the legs onto the L-Shaped Base Frames until the lock pins snap through the positioning holes.



4. Lift mattress up with one arm and slide in the Bed Rail U-Shaped Mattress Frame (E). The frame will rest on top of the box spring and underneath the mattress.
5. Adjust the Leg Extensions if needed so they rest evenly on the floor. Make sure the brass pins snap back in to place. You will hear an audible click.

SPECIFICATIONS

- Height (mattress frame to hand frame) : 12" - 17"
- Height (floor to mattress frame) 14" - 21"
- Length of mattress frame : 33" - 44"
- Width of hand frame : 19.5"
- Max User Weight: 250 LBS

WARNING

- Check periodically to make sure all brass pins are locked and secure before use.

GOT MORE QUESTIONS?

Check out our list of Frequently Asked Questions at vivehealth.link/b397f for helpful answers.



And if that doesn't answer your question, our customer service team would love to help! Feel free to connect with them by phone, e-mail, or chat on our website.

 service@vivehealth.com

 1-800-487-3808

 vivehealth.com